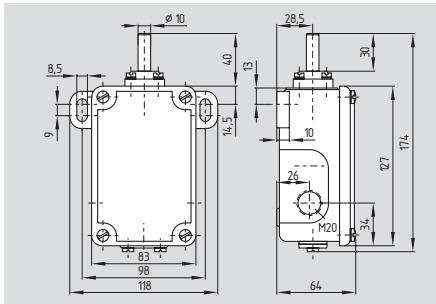


# Rotating spindle limit switch

## MSP 452



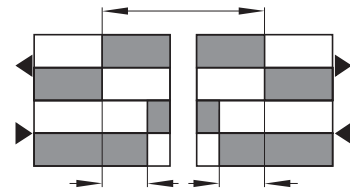
- Metal enclosure
- 4 contacts (NO)
- 2 cable entries
- Protection class IP 65

## Technical data

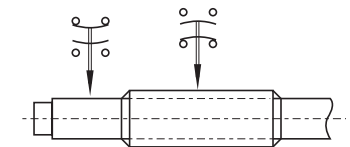
|                                    |   |
|------------------------------------|---|
| Standards:                         | IEC/EN 60947-5-1  |
| Enclosure:                         | cast iron, galvanised, chromated, paint finish              |
| Protection class:                  | IP 65 to EN 60529   |
| Contact material:                  | silver  |
| Switching system:                  | snap action, double break                                   |
| Contact type:                      | change-over contact, galvanically separated contact bridges |
| Termination:                       | screw terminals M 3   |
| Cable section:                     | max. 2.5 mm <sup>2</sup> (incl. conductor ferrules)         |
| $U_{imp}$ :                        | 4 kV  |
| $U_i$ :                            | 250 V   |
| $I_{the}$ :                        | 6 A   |
| $I_e/U_e$ :                        | 2.5 A / 230 VAC   |
| Utilisation category:              | AC-15   |
| Max. fuse rating:                  | 10 A (slow blow), 16 A (quick blow)                         |
| Contact opening:                   | max. 2 x 0.5 mm   |
| Switchover time:                   | ≤ 10 ms (with actuating speed 10 mm/min on plunger)         |
| Bounce duration:                   | ≤ 1.5 ms  |
| Ambient temperature:               | - 30 °C ... + 90 °C   |
| Mechanical life:                   | 3 million operations  |
| Max. turning speed of the spindle: | max. 200 rpm<br>min. 0.5 rpm                                |
| Actuating torque:                  | 20 Ncm  |
| Load on spindle:                   | max. 500 N  |
| Weight:                            | 1.7 kg  |

## Contact variants

### Adjustment range 4...55 rotations



### Differential travel max. 1.25 rotations



## Approvals



## Ordering details

MSP 452-11/11y

## Note

This rotating spindle limit switch with snap action insert is only fit for use in normal to average operating conditions, e.g. for machine tools, cranes and conveyors. Protection class IP 65 to EN 60529.

## Note

By reversing the contacts, the spindle revolutions can be set between 4 and 55 revolutions. The run-out towards each side is at least 5 revolutions.