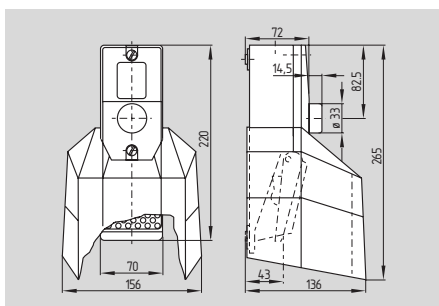


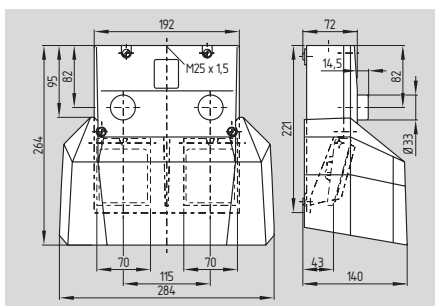
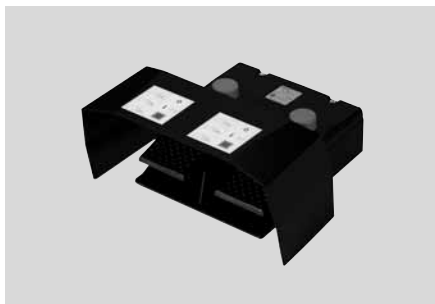
Safety foot switches

GFS VD



- 4 contacts
- Metal enclosure
- Protective shield with wide opening
- With max. 3 pedals available
- Low operating height of pedal
- High level of stability
- Various enamel finishes on request
- Cable entry M20 x 1.5
- Wiring compartment

GFS 2 VD



- Double-pedal type
- 4 contacts per pedal
- Cable entry M25 x 1.5

Technical data

Standards:	IEC/EN 60947-5-1 DIN VDE 0660-200 BG-GS-ET-15
Enclosure:	aluminium die-cast, enamel finish
Protective shield:	aluminium diecast, enamel finish
Pedal:	glass-fibre reinforced thermoplastic (Nylon 66)
Protection class:	IP 65 to EN 60529
Switching system:	⊖ IEC 60947-5-1 slow action, NC contacts with positive break screw terminals
Connection:	max. 2.5 mm ² (incl. conductor ferrules)
Cable section:	
U _{imp} :	6 kV
Contacts:	1 NO / 1 NC or 2 NO / 2 NC
U _i :	500 V
I _{the} :	16 A
Contact load capacity:	max. 400 VAC, max. 16 A (cos φ = 1)
Utilisation category:	AC-15
I _e /U _e :	16 A / 400 VAC
Max. fuse rating:	16 A gG D-fuse
Ambient temperature:	- 25 °C ... + 80 °C
Storage and transport temperature:	- 25 °C ... + 80 °C
Mechanical life:	> 1 million operations

Approvals



Ordering details

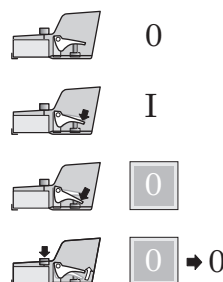
GFS ① ②

No.	Replace	Description
①	2	single-pedal types double-pedal types
②	1SD 1Ö VD 2SD 2Ö VD	1NO/1NC per pedal 2NO/2NC per pedal

Note

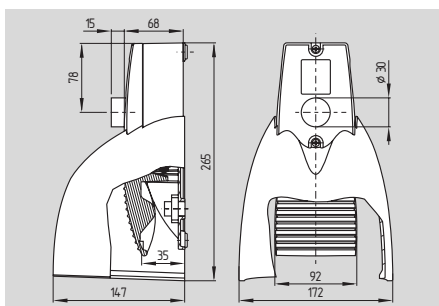
Variants with impulse wiper contact (ordering suffix IK) available on request.

Mode of operation



Safety foot switches

GFSI VD



- 4 contacts
- Metal enclosure
- Ergonomic pedal shape
- Low pedal height
- High level of stability
- Various enamel finishes on request
- Cable entry M20 x 1.5
- Wiring compartment

Technical data

Standards:	IEC/EN 60947-5-1
Enclosure:	aluminium die-cast, enamel finish
Protective shield:	aluminium diecast, enamel finish
Pedal:	aluminium diecast, enamel finish
Protection class:	IP 65 to EN 60529
Switching system:	⊖ IEC 60947-5-1 slow action, NC contacts with positive break
Connection:	screw terminals
Cable section:	max. 2.5 mm ² (incl. conductor ferrules)
U _{imp} :	6 kV
Contacts:	1 NO / 1 NC or 2 NO / 2 NC
U _i :	500 V
I _{the} :	16 A
Contact load capacity:	max. 400 VAC, max. 16 A (cos φ = 1)
Utilisation category:	AC-15
I _e /U _e :	16 A / 400 VAC
Max. fuse rating:	16 A gG D-fuse
Ambient temperature:	- 25 °C ... + 80 °C
Storage and transport temperature:	- 25 °C ... + 80 °C
Mechanical life:	> 1 million operations

Contact variants

1 NO / 1 NC



2 NO / 2 NC



Approvals



Ordering details

GFSI ①

No.	Replace	Description
①	1SD 1Ö VD 2SD 2Ö VD	1NO/1NC per pedal 2NO/2NC per pedal

Note

Variants with impulse wiper contact (ordering suffix IK) available on request.