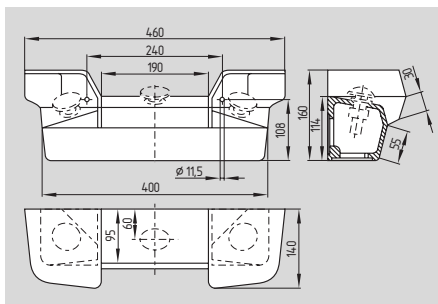


Two-hand control panels

SEP



- Aluminium enclosure
- 2 black operating push buttons \varnothing 55 mm each with 1 NC and 1 NO contacts according to EN 574
- 1 Emergency-Stop button in metal version, EDRRZ 50 RT, with 1 NC and 1 NO contact
- Protection class IP 65

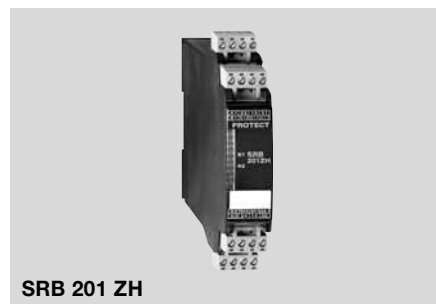
Technical data

Standards:	IEC/EN 60947-5-5 EN 574 EN 418
Enclosure:	cast aluminium, powder-coated
Protection class:	IP 65
Connection:	screw terminals
Cable section:	max. 1.5 mm ²
U _j :	440 V
I _{the} :	10 A
Utilisation category:	AC-15, DC-13
I _e /U _e :	8 A / 250 VAC 5 A / 24 VDC
Mechanical life:	10 million operations
Dimensions:	460 x 160 x 140 mm

System components



AZR 201 TH



SRB 201 ZH

Approvals



Ordering details

Standard:	SEP 01.0.1.0.22/95 (1NO/1NC per button 1NO/1NC for Emergency-Stop)
Empty enclosure:	SEP 01.0.L.22 (with 3 mounting holes)

Note

Other product variants:
List ZHS/03 ELAN, Wettenberg

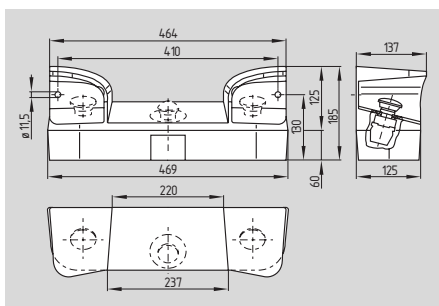
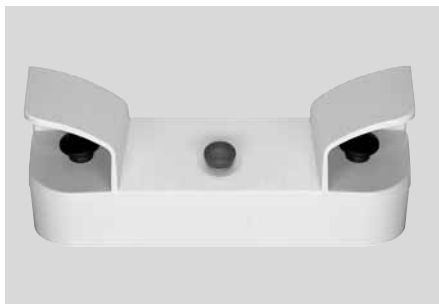
Customer-specific designs (also entirely pre-wired, special colours, etc.) available on request

Ordering details

Safety monitoring modules for two-hand control circuits:
AZR 201 TH **refer to page 2-24**
SRB 201 ZH **refer to page 2-26**

Two-hand control panels

SEPK



- Thermoplastic enclosure
- 2 black operating push buttons Ø 55 mm each with 1 NC and 1 NO contacts according to EN 574
- 1 Emergency-Stop button in thermoplastic version, KDRRT 40 RT, with 1 NC and 1 NO contact
- 8 knockouts for additional operating devices Ø 22.3 mm
- Stand and wall mounting possible
- 2 part enclosure
- Protection class IP 64

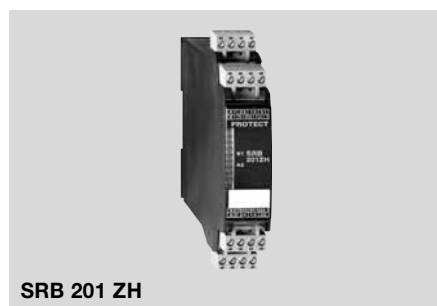
Technical data

Standards:	IEC/EN 60947-5-5 EN 574 EN 418
Enclosure:	thermoplastic (Lexan 503 R)
Protection class:	IP 64 to EN 60529
Connection:	screw terminals
Cable section:	max. 1.5 mm ²
U _j :	440 V
I _{the} :	10 A
Utilisation category:	AC-15, DC-13
I _e /U _e :	8 A / 250 VAC 5 A / 24 VDC
Mechanical life:	10 million operations
Dimensions:	469 x 185 x 140 mm

System components



AZR 201 TH



SRB 201 ZH

Approvals



Ordering details

Standard:	SEPK 02.0.4.0.22/95 (1NO/1NC per button 1NO/1NC for Emergency-Stop)
Empty enclosure:	SEPK 02.0.L.22 (with 3 mounting holes)

Note

Other product variants:
List ZHS/03 ELAN, Wettenberg

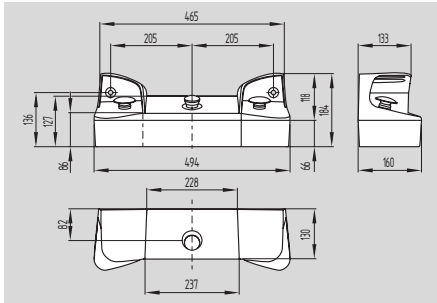
Customer-specific designs (also entirely pre-wired, special colours, etc.) available on request

Ordering details

Safety monitoring modules for two-hand control circuits:
AZR 201 TH **refer to page 2-24**
SRB 201 ZH **refer to page 2-26**

Two-hand control panels

SEPG



- Aluminium enclosure
- 2 black operating push buttons Ø 55 mm each with 1 NC and 1 NO contacts according to EN 574
- 1 Emergency-Stop button in metal version, EDRRZ 50 RT, with 1 NC and 1 NO contact
- Control panel suitable for mounting 8 supplementary signalling and command devices
- Stand and wall mounting possible
- 2 part enclosure
- Protection class IP 65

Technical data

Standards:	IEC/EN 60947-5-5 EN 574 EN 418
Enclosure:	cast aluminium, powder-coated
Protection class:	IP 65 to EN 60529
Connection:	screw terminals
Cable section:	max. 1.5 mm ²
U _j :	440 V
I _{the} :	10 A
Utilisation category:	AC-15, DC-13
I _e /U _e :	8 A / 250 VAC 5 A / 24 VDC
Mechanical life:	10 million operations
Dimensions:	494 x 184 x 160 mm

System components



AZR 201 TH



SRB 201 ZH

Approvals



Ordering details

Standard:	SEPG 05.3.4.0.22/95.23 (1NO/1NC per button 1NO/1NC for Emergency-Stop)
Empty enclosure:	SEPG 05.3.L.22 (with 3 mounting holes)

Note

Other product variants:
List ZHS/03 ELAN, Wettenberg

Customer-specific designs (also entirely pre-wired, special colours, etc.) available on request

Ordering details

Safety monitoring modules for two-hand control circuits:
AZR 201 TH **refer to page 2-24**
SRB 201 ZH **refer to page 2-26**

Two-hand control panels

AZR 201 TH



- Safety-monitoring module to monitor two-hand controls to EN 574-1 III C
- 2 enabling paths, Stop 0
- 1 auxiliary NC contact with antivalent functioning principle (auxiliary contacts are not to be used in safety circuits)
- Feedback circuit
- 4 LEDs to show operating conditions
- Control Category 4 to EN 954-1

Technical data

Standards:	IEC/EN 60204-1, EN 954-1, BG-GS-ET-20
Stop category	2x Stop 0
Control category:	4
Enclosure:	glass-fibre reinforced thermoplastic
Connection:	screw terminals
Cable section:	max. 2.5 mm ² solid or multi-strand lead (incl. conductor ferrules)
U _e :	24 VAC, 115 VAC, 230 VAC -15%/+6%, 50/60 Hz
I _e :	0.1 A
Protection class:	terminals IP 20 enclosure IP 40 to EN 60529
Power consumption:	max. 4.0 W
Max. fuse rating:	Si1 (internal): 125 mA Si2: 80 mA
Feedback circuit:	yes
Drive circuits:	S11/S23, S31/S43: max. 28 VDC
Enabling contacts:	2 enabling paths
Switching capacity:	enabling paths: 6 A/230 VAC, 6 A/24 VDC
Fuse rating:	enabling paths: 6 A slow blow
Utilisation category:	AC-15, DC-13
Signalling contacts:	1 NC contact
Switching capacity:	Indicating contact: 2 A/24 VDC
Contact material:	AgSnO, self-cleaning, positive action
Contact resistance:	max. 100 mΩ in new condition
Pull-in delay:	≤ 20 ms
Response time:	≤ 10 ms
Air clearances and creepage distances:	DIN VDE 0110-1 (04.97), 2.4 kV/2
Overvoltage category:	III to DIN VDE 0110
Degree of pollution:	2 to DIN VDE 0110
Ambient temperature:	0 °C ... + 40 °C (Derating curve on request)
Mechanical life:	10 million operations
Function display:	4 LEDs
Weight:	360 g
Dimensions:	45 x 83 x 140 mm

Approvals



Ordering details

AZR 201 TH ①

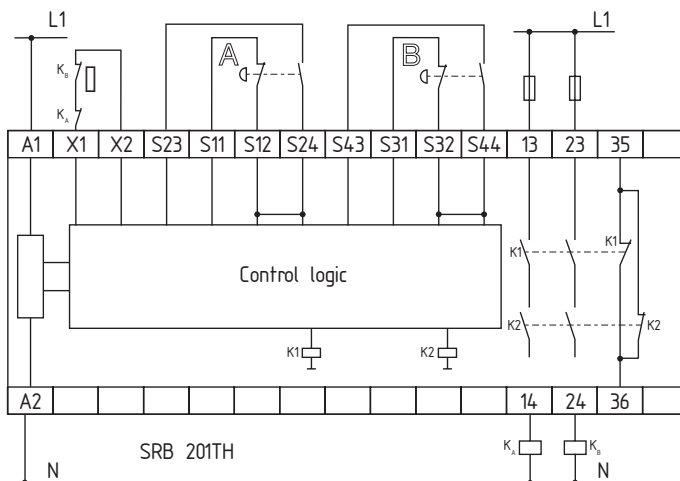
No.	Replace	Description
①	24 VAC	24 VAC
	115 VAC	115 VAC
	230 VAC	230 VAC

Two-hand control panels

Note

- Duties: Suitable for 2 channel control, for increase in capacity or number of contacts by means of contactors or relays with positive-guided contacts.
- If the feedback circuit Ⓜ is not needed, the inputs X1 and X2 must be bridged.
- The NC contact of the buttons A and B must have opened before the NO contact closes. No contact overlapping, otherwise fuse Si2 would be triggered.

Wiring diagram



LED

Function display:

the integrated LEDs indicate the following operational states.

- Position relay K1
- Position relay K2
- Supply voltage U_B
- Internal operating voltage U_i

Note

The wiring diagram is shown with guard doors closed and in de-energised condition.

Two-hand control panels

SRB 201 ZH



- Safety-monitoring module to monitor two-hand controls to EN 574-1 III C
- 2 enabling paths, Stop 0
- 1 auxiliary NC contact with antivalent functioning principle (auxiliary contacts are not to be used in safety circuits)
- Feedback circuit
- With electronic fuse
- 2 LEDs to show operating conditions
- Control Category 4 to EN 954-1
- Plug-in terminals

Technical data

Standards:	IEC/EN 60204-1, EN 954-1, BG-GS-ET-20
Stop category	2x Stop 0
Control category:	4
Enclosure:	glass-fibre reinforced thermoplastic, ventilated
Connection:	plug-in, screw terminals
Cable section:	max. 2.5 mm ² solid or multi-strand lead (incl. conductor ferrules)
U _e :	24 VDC -15%/+20%, residual ripple max. 10%
I _e :	0.08 A
Protection class:	terminals IP 20 enclosure IP 40 to EN 60529
Power consumption:	max. 1.2 W
Max. fuse rating:	internal electronic fuse F1, F2 for monitoring the elements of the two-hand control: tripping current < 0.2 A internal electronic fuse F3: tripping current: < 0.6 A
Feedback circuit:	yes
Drive circuits:	S11/S12, S21/S22: max. 28 VDC
Enabling contacts:	2 enabling paths
Utilisation category:	AC-15, DC-13
Switching capacity:	enabling paths: 6 A/230 VAC, 6 A/24 VDC
Fuse rating:	enabling paths: 6 A slow blow
Signalling contacts:	1 NC contact
Switching capacity:	Indicating contact: 2 A/24 VDC
Contact material:	AgSnO, self-cleaning, positive action
Contact resistance:	max. 100 mΩ in new condition
Pull-in delay:	≤ 50 ms
Response time:	≤ 30 ms
Air clearances and creepage distances:	DIN VDE 0110-1 (04.97), 4 kV/2
Overvoltage category:	III to DIN VDE 0110
Degree of pollution:	2 to DIN VDE 0110
Ambient temperature:	- 25 °C ... + 45 °C (Derating curve on request)
Mechanical life:	10 million operations
Function display:	2 LEDs
Weight:	200 g
Dimensions:	22.5 x 100 x 121 mm

Approvals



Ordering details

SRB 201 ZH ①

No.	Replace	Description
-----	---------	-------------

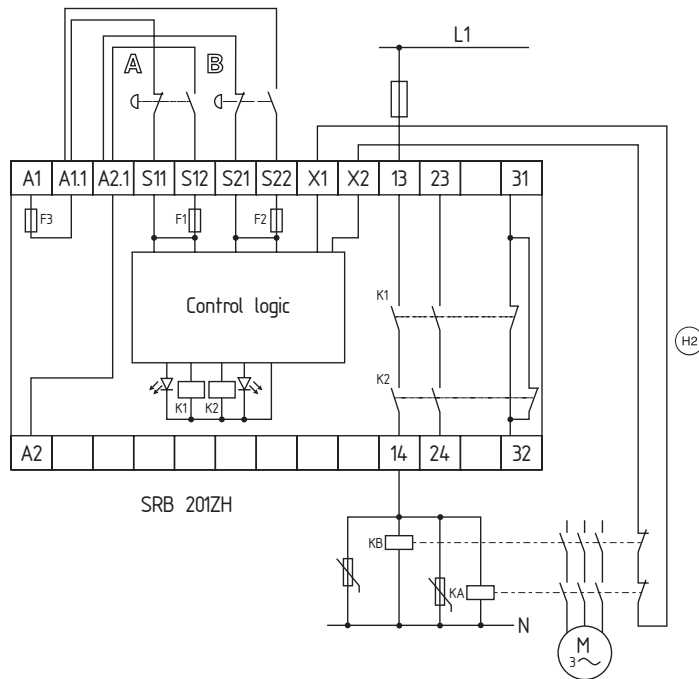
①		24 VDC
---	--	--------

Two-hand control panels

Note

- Duties: Suitable for 2 channel control, for increase in capacity or number of contacts by means of contactors or relays with positive-guided contacts.
- If the feedback circuit H2 is not needed, the inputs X1 and X2 must be bridged.
- The NC contact of the buttons A and B must have opened before the NO contact closes. No contact overlapping, otherwise fuses F1 and F2 would be triggered.

Wiring diagram



LED

Function display:
the integrated LEDs indicate the following operational states.

- Position relay K1
- Position relay K2

Note

The wiring diagram is shown with guard doors closed and in de-energised condition.