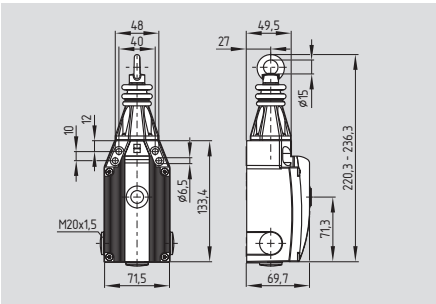


# Pull-wire emergency stop switches

## ZQ 900



- To EN 418 / IEC 60947-5-5
- Metal enclosure
- 4 contacts
- Position indicator
- Robust design
- Large wiring compartment
- 3 cable entries M20 x 1.5
- One tension force for wire lengths up to 50 m
- Wire up to 50 m long
- Reset pushbutton
- Twisting of towing eye not possible
- Optional signalling lamp
- External watertight collar
- Wire pull and breakage function
- Stainless

## Technical data

Standards: IEC/EN 60947-5-1  
IEC/EN 60947-5-5  
EN 418

Enclosure: zinc die-cast, enamelled

Cover: thermoplastic

Protection class: IP 65, IP 67 to IEC/EN 60529

Contact material: silver

Contact type: 1 NC/1 NO  
or 2 NC/2 NO  
or 3 NC/1 NO  
or 2 NC  
or 4 NC

Switching system: IEC 60947-5-1  
snap action with positive break NC contacts

Connection: screw terminals

Cable section: max. 2.5 mm<sup>2</sup>  
(incl. conductor ferrules)

Cable entry: 3 x M20 x 1.5

Rated impulse withstand voltage  $U_{imp}$ : 6 kV

Rated insulation voltage  $U_i$ : 500 V

Thermal test current  $I_{the}$ : 6 A

Utilisation category: AC-15, DC-13

Rated operating current/voltage  $I_e/U_e$ : 4 A / 230 VAC  
1 A / 24 VDC

Max. fuse rating: 6 A gG D-fuse  
to DIN EN 60269-1

Ambient temperature: -25 °C ... +70 °C

Mechanical life: > 1 million operations

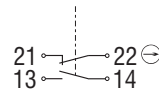
Indicator lamp: optionally

Maximum cable length: 50 m  
(please observe ambient temperature range and wire supports)

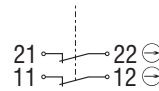
Features: wire pull and breakage detection

## Contact variants

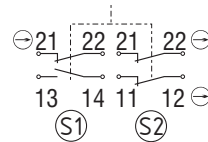
### 1 NO/1 NC



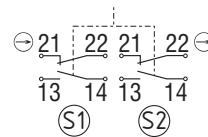
### 2 NC



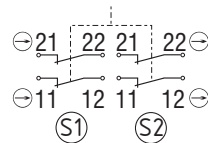
### 1 NO/3 NC



### 2 NO/2 NC



### 4 NC



## Approvals



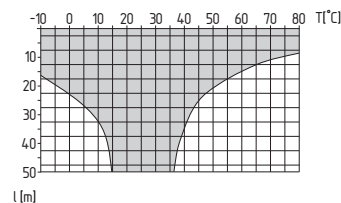
## Ordering details

### ZQ 900-①

No.	Replace	Description
①	11	1 NO/1 NC
	13	1 NO/3 NC
	22	2 NO/2 NC
	02	2 NC
	04	4 NC

## Note

Recommended cable lengths for pull-wire Emergency-Stop switches in relation to the range of ambient temperature.  
At 5 m distance intermediate wire supports are required, see accessories.



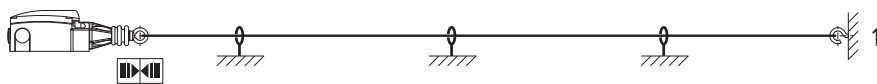
## Note

The screwed G24-M20 indicator lamp must be ordered separately, see accessories.

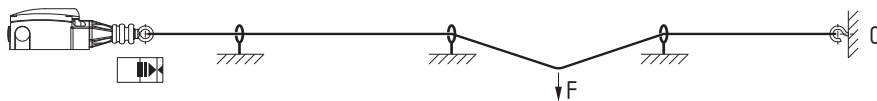
# Pull-wire emergency stop switches

## Mode of operation

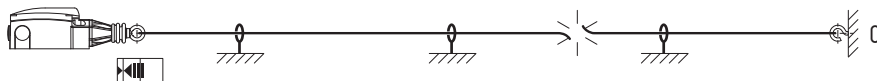
Not actuated



Wire pull detection



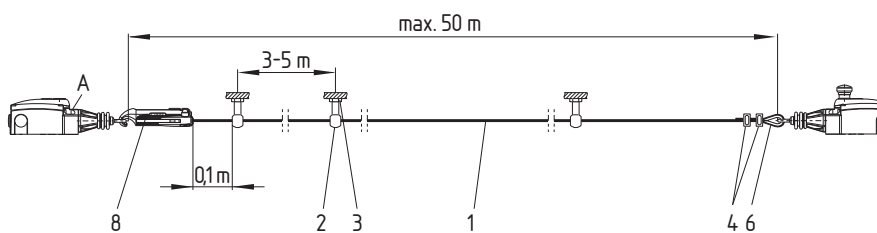
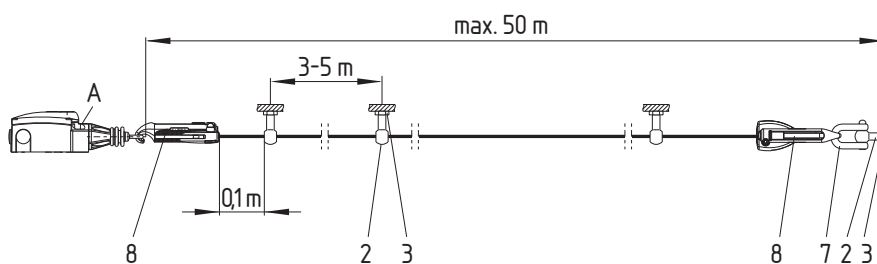
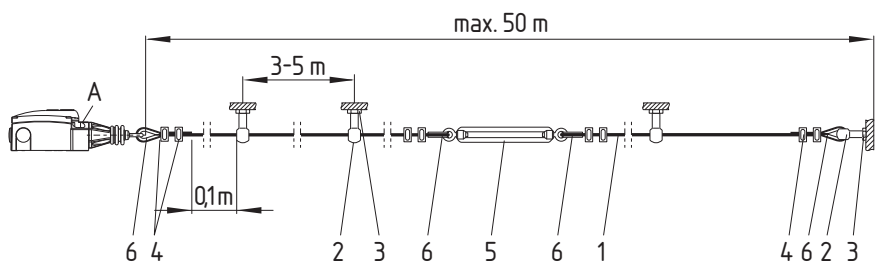
Wire breakage detection



## Mounting instructions

- 1 = Wire rope
  - 2 = Eyebolt
  - 3 = Nut
  - 4 = Wire clamp
  - 5 = Tensioner
  - 6 = Wire thimble
  - 7 = Shackle
  - 8 = Rope tensioner
- A = Position indicator

## One-side operation

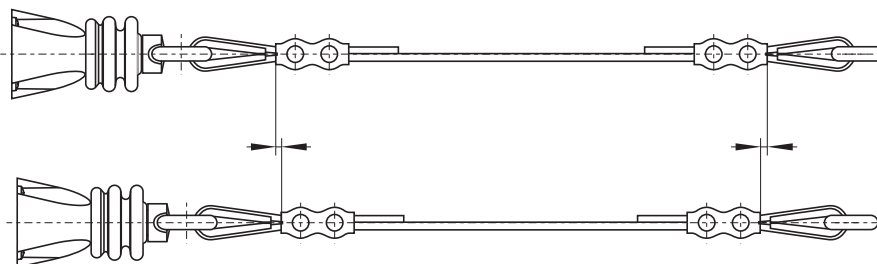


## Mounting instructions

### Note:

As the thimbles are subject to deformation in case of wire pull, the wire should be pulled several times after fitting. After that, the wire must be re-tensioned using the eyebolt or the tensioner.

## Thimble deformation



## Pull-wire emergency stop switches

### System components



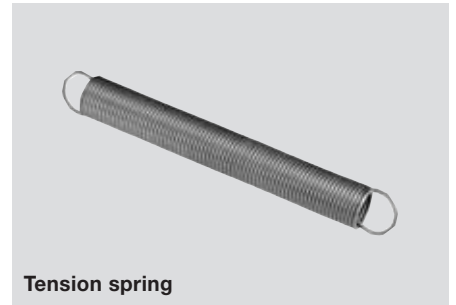
Eyebolt

### System components



Pulley

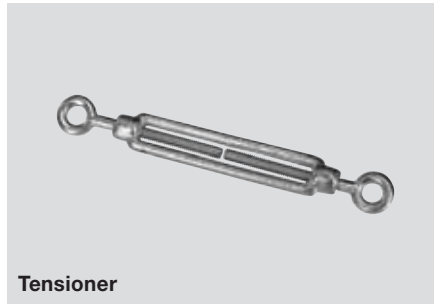
### System components



Tension spring



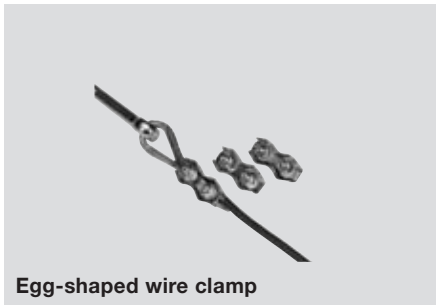
Wire clamp



Tensioner



Rope tensioner S 900



Egg-shaped wire clamp



Wire rope



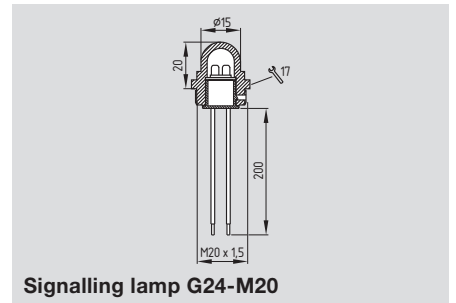
Shackle



Wire thimble



Wire unit complete



Signalling lamp G24-M20

### Ordering details

Eyebolt	
BM 10 x 40	<b>1084928</b>
BM 8 x 70	<b>1162986</b>
Wire clamp 3 mm (stainless steel)	<b>1190918</b>
Duplex wire clamp	
3 mm (stainless steel)	<b>1190917</b>
Egg-shaped wire clamp	
(without image)	<b>1077072</b>
Wire thimble 4 mm (stainless steel)	<b>1190919</b>

### Ordering details

Pulley	<b>1186699</b>
Tensioner M6	<b>1087930</b>
Wire rope per m	<b>on request</b>
Wire unit complete	<b>on request</b>

### Ordering details

Tension spring	<b>1186696</b>
Rope tensioner S 900	<b>1186704</b>
Shackle (stainless steel)	<b>1186490</b>
Signalling lamp G24-M20 (LED 24 VDC)	<b>1186263</b>