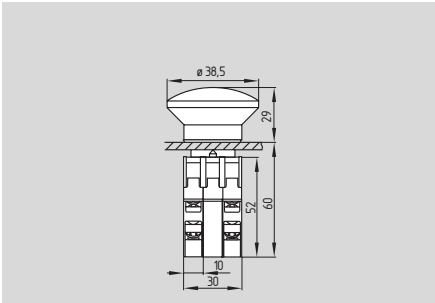


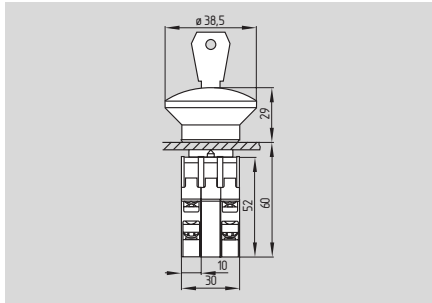
Emergency-Stop push button

EDRRZ 40 RT



- Metal actuators
- To EN 418 / IEC 60947-5-5
- Max. 2 NC and 2 NO or 4 NC contacts
- Projection from front of panel 29 mm
- For mounting holes Ø 22.3 mm
- Selection of terminal designations available
- Pull to reset

EDRRS 40 RT



- Reset by key
- To EN 418 / IEC 60947-5-5

Technical data

Standards:	IEC/EN 60947-5-5 EN 418
Operators:	aluminium
Protection class:	IP 65 to EN 60529
Contact material:	silver
Switching system:	⊖ IEC 60947-5-1 slow action
Contact type:	change-over contact, 2 NC contacts combined as desired
Connection:	screw terminals WAGO clip-in terminals on request
Cable section:	max. 2.5 mm ²
I _{the} :	10 A
U _i :	400 V
I _e /U _e :	8 A / 230 VAC 5 A / 24 VDC
Utilisation category:	AC-15, DC-13
Max. fuse rating:	10 A gG D-fuse
Contact opening:	> 2 x 1.25 mm
Bounce duration:	< 5 ms at 100 mm/s
Ambient temperature:	- 25 °C ... + 80 °C (-40 °C on request)
Mechanical life:	operators: > 100,000 operations / contact blocks: 10 million operations
Switching frequency:	1200/h
Resistance to shock:	max. 70 g / 4 ms, contact block: 110 g / 4 ms
Push button Ø:	38.5 mm
Mounting hole Ø:	22.3 mm

Approvals



Ordering details

EDRR^① 40 RT/②/②/③

No.	Replace	Description
①	Z	Pull reset
	S	Key reset
②	EF 303.1	1 NO / 1 NC
	EF 303.2	1 NO / 1 NC
	EF 220.1	2 NC
	EF 220.2	2 NC
③	EFR	Contact labelling, see contact variants
		Spring element (always to be ordered)

Note

Other product variants:

- Diameter 16.2 mm and 30.5 mm
- Different diameters for the actuating heads
- Contact elements with push-on spades and (WAGO cage clamps)
- Optionally also completely mounted

List D-Z.97 and
List D-22.G ELAN, Wettenberg

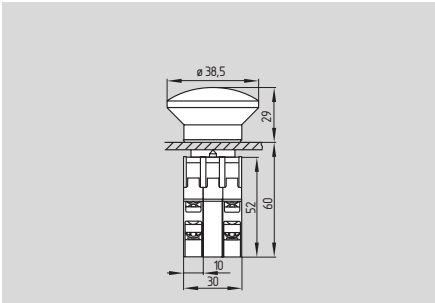
Note

In order to avoid repeating of the same terminal designations in wiring diagrams, contact blocks with the same contact configuration are available with different terminal designations.

Max. 2 NC and 2 NO or 4 NC contacts

Emergency-Stop push button

KDRRZ 40 RT



- Thermoplastic actuators
- To EN 418 / IEC 60947-5-5
- Max. 2 NC and 2 NO or 4 NC contacts
- Projection from front of panel 29 mm
- For mounting holes Ø 22.3 mm
- Selection of terminal designations available
- Pull to reset

Technical data

Standards:	IEC/EN 60947-5-5 EN 418
Operators:	glass-fibre reinforced thermoplastic, self-extinguishing
Protection class:	IP 65 to EN 60529
Contact material:	silver
Switching system:	⊖ IEC 60947-5-1 slow action
Contact type:	change-over contact, 2 NC contacts
Connection:	combined as desired screw terminals WAGO clip-in terminals on request
Cable section:	max. 2.5 mm ²
U _{imp} :	–
U _i :	400 V
I _e /U _e :	8 A / 230 VAC 5 A / 24 VDC
Utilisation category:	AC-15, DC-13
Max. fuse rating:	10 A gG D-fuse
Switching capacity:	–
Contact opening:	> 2 x 1.25 mm
Switchover time:	–
Bounce duration:	< 5 ms at 100 mm/s
Ambient temperature:	– 25 °C ... + 80 °C (–40 °C on request)
Mechanical life:	operators: > 100,000 operations / contact blocks: 10 million operations
Switching frequency:	1200/h
Switching point accuracy:	–
Resistance to shock:	max. 70 g / 4 ms, contact block: 110 g / 4 ms
Push button Ø:	38.5 mm
Mounting hole Ø:	22.3 mm

Contact variants

1 NO / 1 NC	
EF 303.1	
EF 303.2	
2 NC	
EF 220.1	
EF 220.2	

Approvals



Ordering details

KDRRZ 40 RT/①/①/②

No.	Replace	Description
①	EF 303.1	1 NO / 1 NC
	EF 303.2	1 NO / 1 NC
	EF 220.1	2 NC
	EF 220.2	2 NC
		Contact labelling, see contact variants
②	EFR	Spring element (always to be ordered)

Note

Other product variants:

- Diameter 16.2 mm and 30.5 mm
- Different diameters for the actuating heads
- Contact elements with push-on spades and (WAGO cage clamps)
- Optionally also completely mounted

**List D-Z.97 and
List D-22.G ELAN, Wettenberg**

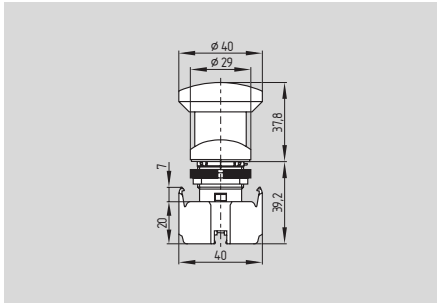
Note

In order to avoid repeating of the same terminal designations in wiring diagrams, contact blocks with the same contact configuration are available with different terminal designations.

Max. 2 NC and 2 NO or 4 NC contacts

Emergency-Stop push button

ADRR 40 RT



- Thermoplastic actuators
- To EN 418 / IEC 60947-5-5
- Max. 6 contacts in tandem arrangement
- For mounting holes \varnothing 22.3 mm
- Pull to reset

Technical data

Standards:	IEC/EN 60947-5-5 EN 418
Operators:	glass-fibre reinforced thermoplastic, self-extinguishing
Protection class:	IP 65 to EN 60529
Contact material:	silver
Switching system:	⊖ IEC 60947-5-1 slow action
Contact type:	NO and NC contacts, combined as desired
Connection:	screw terminals
Cable section:	max. 2.5 mm ² (incl. conductor ferrules)
U _{imp} :	6 kV
U _i :	400 V
I _{the} :	10 A
I _e /U _e :	8 A / 230 VAC 5 A / 24 VDC
Utilisation category:	AC-15, DC-13
Max. fuse rating:	10 A gG D-fuse
Switching capacity:	–
Contact opening:	2 x 1.75 mm
Switchover time:	–
Bounce duration:	–
Ambient temperature:	– 25 °C ... + 60 °C
Mechanical life:	500,000 operations
Switching frequency:	6000/h
Switching point accuracy:	–
Resistance to shock:	50 g / 20 ms
Push button \varnothing :	40 mm
Mounting hole \varnothing :	22.3 mm

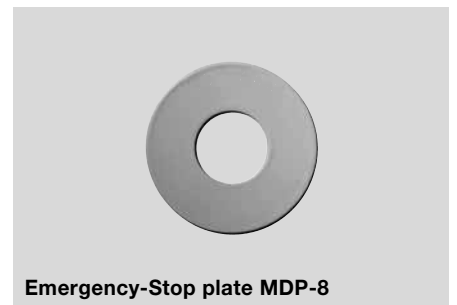
System components



Empty enclosure MBK 311/GB



Empty enclosure MBG 311/GB



Emergency-Stop plate MDP-8

Approvals



Ordering details

ADRR 40 RT/①/①

No.	Replace	Description
①	AF 03	1 NO
	AF 10	1 NC
		Please indicate the number of desired contact elements

Note

Max. 6 contacts in tandem arrangement

Terminal labelling:
NC contact: 1-2
NO contact: 3-4

Ordering details

Empty enclosure thermoplastic:	MBK 311/GB
metal:	MBG 311/GB
Emergency-Stop plate aluminium:	MDP-8
thermoplastic:	MDP-8.1