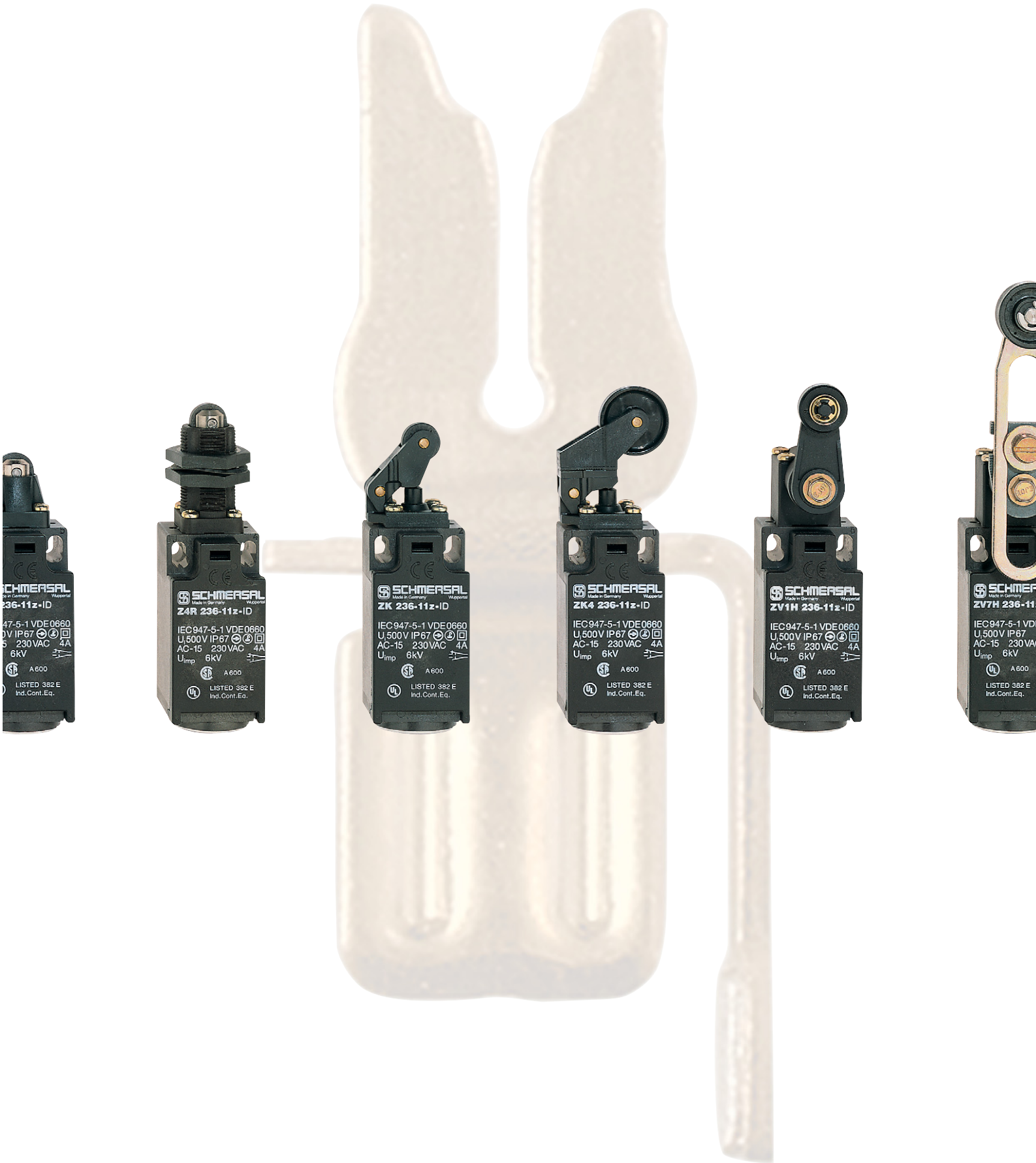


Position switches Z/T 236 series

With Insulation Displacement Connectors



SCHMERSAL

Position switches with safety function

Z/T 236 series with Insulation Displacement Connectors

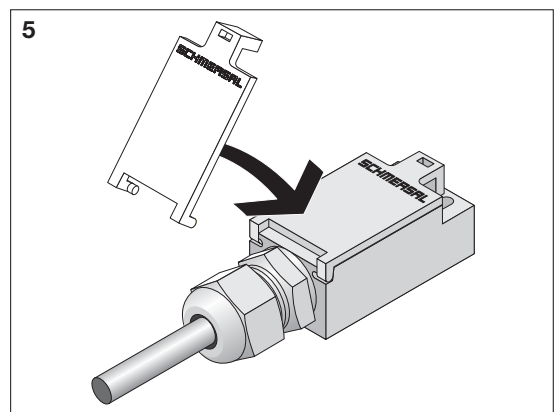
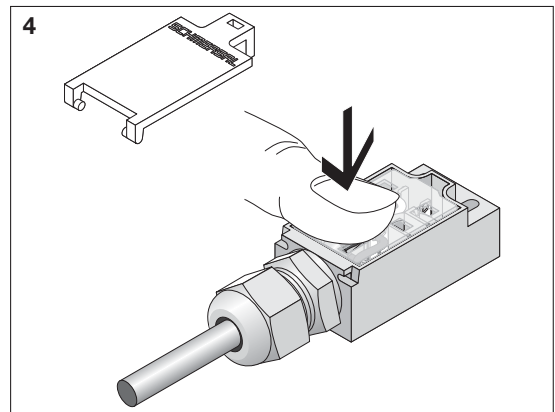
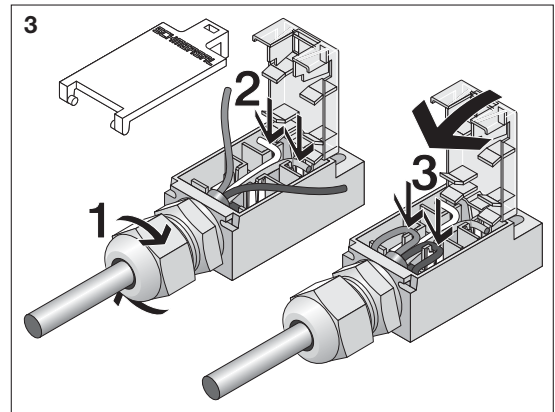
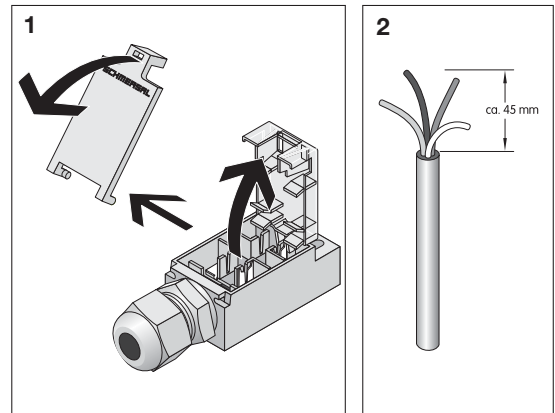
Connected in less than one minute!!!

With the help of Insulation Displacement Connectors, shown to be a proven and accepted connection technology by Schmersal for industrial switchgear, savings in wiring time and installation costs can easily be achieved for the well established 236-Series of position switches.

Simply remove the outer cable insulation, place the wires into the slots, close the transparent cover and the switch is ready for use.

There is no need to cut the wires to different lengths, and no stripping of the wire insulation is required.

You can save time and reduce cost!

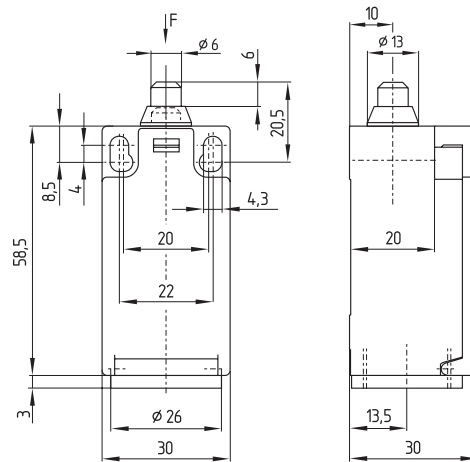


Recommended wiring procedure for the position switch

1. Open and remove cover of switch; open the transparent cover.
2. Strip the outer cable insulation to a length of approximately 45mm.
3. Using an appropriate cable gland, feed the cable into the wiring compartment and slightly bend the wires upwards.
 - 3.1 Fix the cable in the correct position by tightening the cable gland.
 - 3.2 First connect the upper terminals by putting the wire ends into the contact slots.
 - 3.3 Continue the same way for the lower terminals, but loop the wire into the free space in the wiring compartment.
4. Close the transparent cover and push hard to displace the insulation.
5. Attach the cover and close the switch.

Position switches with safety function

Z/T 236 series with Insulation Displacement Connectors



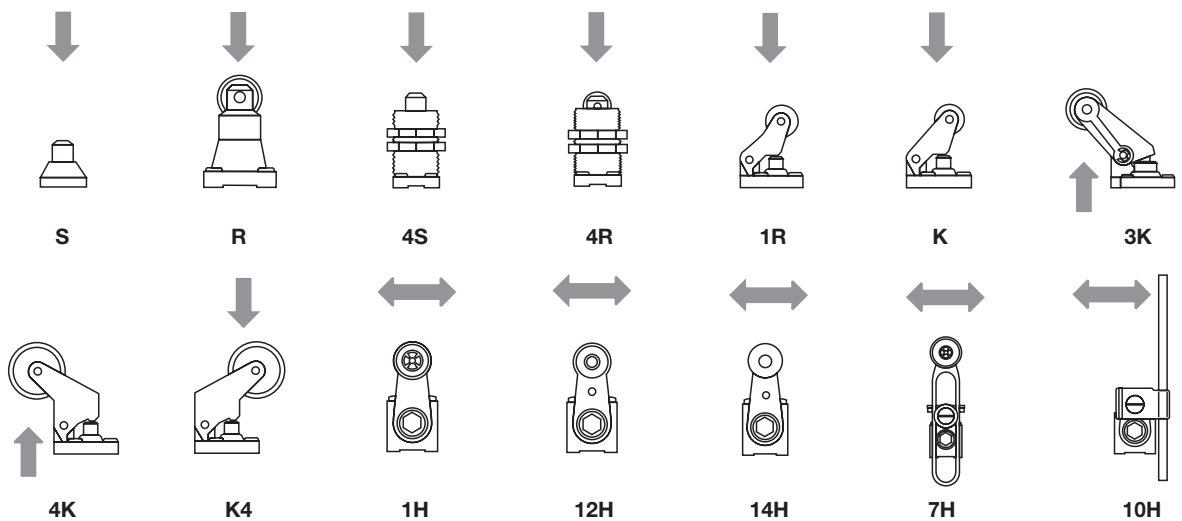
Features

- Insulation Displacement Connectors
- Thermoplastic enclosure
- Double insulated □
- Available with 2 positive break NC contacts
- Snap action with constant contact pressure up to switching point
- Slow action available with overlapping or staggered contacts
- Wide range of alternative actuators
- Actuator heads can be repositioned in steps 4 x 90°
- Angle of roller lever adjustable in 10° steps
- Cable entry M20

Ordering example

Position switch with safety function from the Z/T236 series with roller lever K, slow action with 2 NC contacts; ID Connectors TK 236-02z ID

Actuator elements



Position switches with safety function

Technical data

Z/T 236	
Standards:	IEC/EN 60947-5-1; EN 1088; BG-GS-ET-15
Housing Standard:	EN 50047
Enclosure material:	Glass-fibre reinforced thermoplastic, self-extinguishing
Protection class:	IP 67 to IEC/EN 60529
Contact material:	Silver
Contact type:	Change-over with double break Zb or 2 NC contacts, with galvanically separated contact bridges
Switching system:	⊖ IEC 60947-5-1; BG-GS-ET-15; slow or snap action, NC contacts with positive break Snap action Z or slow action T
Termination:	Insulation Displacement Connectors; 0.75...1.5 mm ² , stranded
Rated impulse withstand voltage U_{imp} :	6 kV
Rated insulation voltage U_i :	500 V
Thermal test current I_{th} :	10 A
Utilisation category:	AC-15; DC-13
Rated operating current/voltage I_e/U_e :	4 A/230 VAC; 2.5 A/400 VAC; 1 A/500 VAC; 1 A/24 VDC
Max. fuse rating:	6 A gL/gG D-fuse
Ambient temperature:	- 30 °C ... + 80 °C
Mechanical life:	20 million operations
Switching frequency:	Max. 5,000/h
Actuating speed:*	Z 236: Min. 10 mm/min T 236: Min. 60 mm/min
Contact gap for complete stroke:	Z 236: 2 x 2 mm T 236: 2 x 3.5 mm
Contact bounce duration:	Z 236: < 3 ms T 236: **
Switchover time:	Z 236: > 5.5 ms T 236: **



* at the switch plunger

** directly related to speed of actuation

K.A. Schmersal GmbH
Safety control systems

Mödinghofe 30
D-42279 Wuppertal
Germany

Phone +49 - (0)2 02 - 64 74 - 0
Fax +49 - (0)2 02 - 64 74 - 1 00

E-Mail info@schmersal.de
Internet <http://www.schmersal.com>