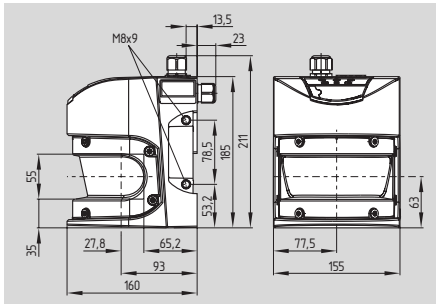


Safety laser scanner

LS 30



- Electro-sensitive protective device for protection of persons or for detection of objects which operates by measuring the time taken for light to travel
- Compact device with integrated evaluation
- Monitoring zones can be freely and precisely defined
- 4 warning and 4 protection zones, freely programmable
- System connector with integrated configuration memory
- Various modes of operation can be selected
- 7-segment display for diagnosis
- Interactive, user-friendly computer configuration, parameter setting and error diagnosis
- Serial interfaces for start-up and configuration
- Simple flexible mounting and adjustment
- Large range
- Short response time
- Safe, wearproof and maintenance-free semi-conductor outputs
- Complete soiling check

Approvals



Ordering details

LS 30-4015 CAS01 4 warning and 4 protection zones

The system connector is not included in delivery of the safety laser scanner.

Technical data

Range: Protection zone: 4 m radius
Warning zone: 49 m radius
Monitoring area: 49 m

Scanning angle: 190°
Angle resolution: max. 0.25°
min. 0.50°

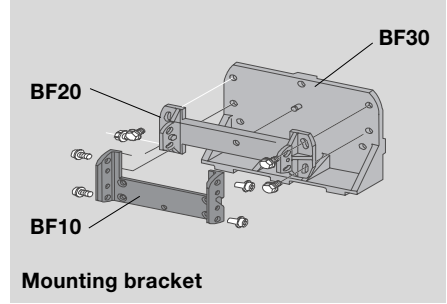
Response time: 60 ms
Light source: laser diode
Light emission wavelength: 905 nm
Laser protection class: 1
Configuration: configuration software SCS

Operating voltage U_e : 24 VDC
Outputs: 2 safe solid state outputs, short-circuit proof;
3 not safe signalling outputs

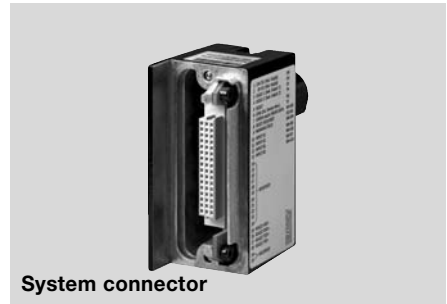
Dimensions: 185 x 155 x 160 mm
Weight: 3,3 kg
Termination: 30 pin system connector

Ambient temperature: -10 °C ... +50 °C
Protection class: IP 65 to EN 60529
Number of warning zones: 4
Number of protection zones: 4
Serial interface: RS 232

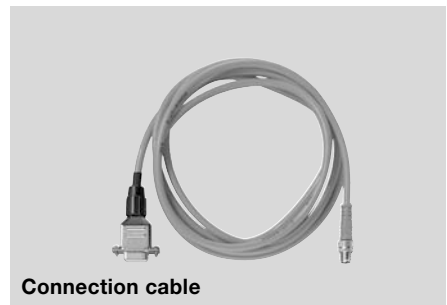
Accessories



Mounting bracket

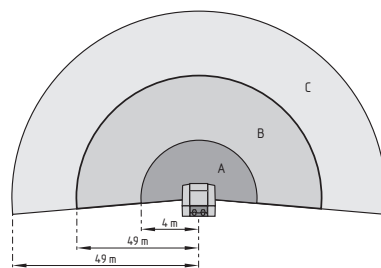


System connector



Connection cable

Mode of operation



Legend

- A protection zone
- B warning zone
- C monitoring area

Ordering details

Mounting bracket for direct mounting at the rear on wall or machine.
No adjustment facility **BF10**
Bracketed only in conjunction with BF10.
Mounting at the rear on wall or machine.
Longitudinal and cross-wise adjustment **BF20**
Bracketed only in conjunction with BF10 and BF20. Mounting at the rear or below on wall, floor or machine.
Longitudinal and cross-wise adjustment **BF30**
System connector
without cable **SX0A-A0000BS01**
System connector pre-assembled, 5 m long cable, 13 cores **SV00-B1305BS01**
Connection cable
between the serial interface of the PC and the configuration interface **SRS02**
Plastic cleaner (without image) **ASS 250**