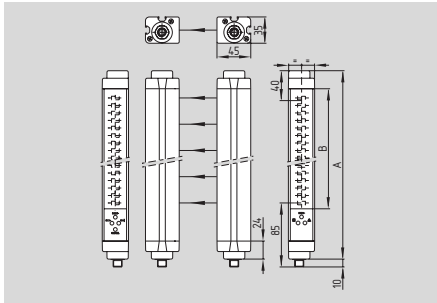


Safety light curtains

SLC 210



- Control Category 2 to EN 954-1
- Very small enclosure cross-section
- Protection class IP 65
- Range 0 ... 6 m (Standard), 1 ... 16 m (High Range)
- Response time 6 ... 27 ms (depending on length and resolution)
- Safe transistor outputs
- coded
- Maintenance free
- LED status display
- Optical synchronisation
- Simple flexible mounting and adjustment

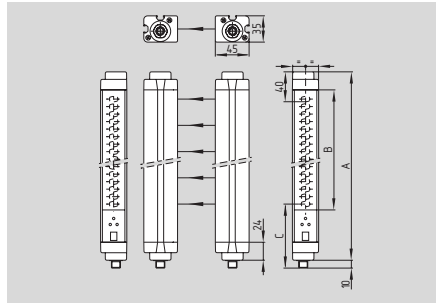
Legend

- A: Total length
- B: Height of protection field
- C: 85 mm

Approvals



SLC 410



- Control Category 4 to EN 954-1
- Very small enclosure cross-section
- Protection class IP 65
- Range 0 ... 5 m with 14 mm resolution
- Range 0 ... 18 m with 30/50 mm resolution
- Safe transistor outputs
- Maintenance free
- LED status display
- Optical synchronisation
- Simple flexible mounting and adjustment

Legend

- A: Total length
- B: Height of protection field
- C: 85 mm

Approvals



Technical data

Standards:	IEC/EN 61496-1/-2
Control Category:	210: 2 410: 4
Enclosure:	Aluminium
Enclosure dimensions:	35 x 45 mm
Connection:	connector M 12 x 1, five pole
Max. cable length:	100 m
Protection class:	IP 65 to EN 60529
Response time:	6 - 27 ms (depends on length and resolution)
Resolution:	SLC 210: 20 mm / 40 mm / 90 mm SLC 410: 14 mm / 30 mm / 50 mm
Range:	SLC 210: 0 ... 6 m (Standard), 1 ... 16 m (High range) SLC 410: 0 ... 5 m with 14 mm resolution, 18 m with 30/50 mm resolution
Start/Restart interlock:	only in combination with safety monitoring module
Contactors control:	only in combination with safety monitoring module
Protection field height:	160 mm ... 1810 mm
Light emission wavelength:	950 nm
U _e :	24 VDC ± 20%
Safety outputs:	2 x PNP, 500 mA
Power consumption:	transmitter 2 W, receiver 3 W
Data interface:	-
LED status indication:	SLC 210: Operating voltage, protection field free - interrupted, advance warning of dirt / adjustment aid, diagnosis SLC 410: Operating voltage, protection field free -interrupted, advance warning of dirt / adjustment aid, 7-segment display for diagnosis
Ambient temperature:	0 °C ... + 55 °C
Storage and transport temperature:	- 20 °C ... + 70 °C

Ordering details

SLC 210-E/R①-②-12-③

No.	Replace	Description
①	xxxx	Height of protection field Available lengths: 0160 mm 0310 mm 0460 mm 0610 mm 0760 mm 0919 mm 1060 mm 1210 mm 1360 mm 1510 mm 1660 mm 1810 mm
②	20 40 90	Resolution 20 mm Resolution 40 mm Resolution 90 mm
③	H	Range 6 m Range 1 ...16 m High Range

Ordering details

SLC 410-E/R①-②-12

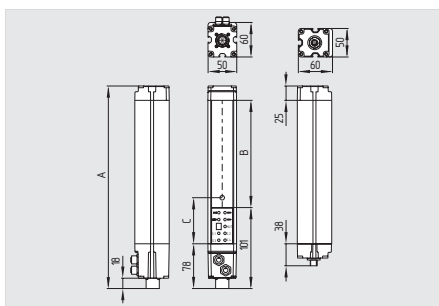
No.	Replace	Description
①	xxxx	Height of protection field Available lengths: 0160 mm 0310 mm 0460 mm 0610 mm 0760 mm 0919 mm 1060 mm 1210 mm 1360 mm 1510 mm 1660 mm 1810 mm
②	14 30 50	Resolution 14 mm Resolution 30 mm Resolution 50 mm

Note

A wide range of accessories is available.
For selection, see page 4-15.

Safety light curtains

SLC 415I



- Control Category 4 to EN 954-1
- Integrated muting function
- Integrated override function
- Protection class IP 65
- Range 0 ... 16 m
- Safe transistor outputs
- Maintenance free
- LED status display
- Optical synchronisation
- Simple flexible mounting and adjustment

Technical data

Standards:	IEC/EN 61496-1/-2
Control Category:	4
Enclosure:	Aluminium
Enclosure dimensions:	50 x 60 mm
Connection:	Emitter: connector plug M 12, 5-pole; Receiver: connector plug M 23, 19-pole; Muting sensors: 2 x connector plug M 12, 5-pole
Max. cable length:	100 m
Protection class:	IP 65 to EN 60529
Response time:	≤ 30 ms
Resolution:	30 mm / 40 mm / 90 mm
Range:	0 ... 16 m
Start/Restart interlock:	Can be switched on/off
Contact control:	Can be switched on/off
Light emission wavelength:	950 nm
U _e :	24 VDC ± 20%
Safety outputs:	2 x PNP, 500 mA
Power consumption:	transmitter 3 W, receiver 6 W
LED status indication:	Emitter: function indication, test, error message; Receiver: function indication, infringement of protection zone, override, wait for restart button muting configuration, muting sensors
Ambient temperature:	0 °C ... + 50 °C
Storage and transport temperature:	- 20 °C ... + 70 °C

Legend

- A: Height of the receiver
- B: Height of protection field
- C: Distance to the first lens

Approvals



Ordering details

SLC 415I-E/R①-②-12

No.	Replace	Description
①	xxxx	Height of protection field Available lengths: 0310 mm 0460 mm 0610 mm 0760 mm 0910 mm 1060 mm 1210 mm 1360 mm 1510 mm 1660 mm 1810 mm
②	30	Resolution 30 mm
	40	Resolution 40 mm
	90	Resolution 90 mm

Note

A wide range of accessories is available.
For selection, see page 4-15.